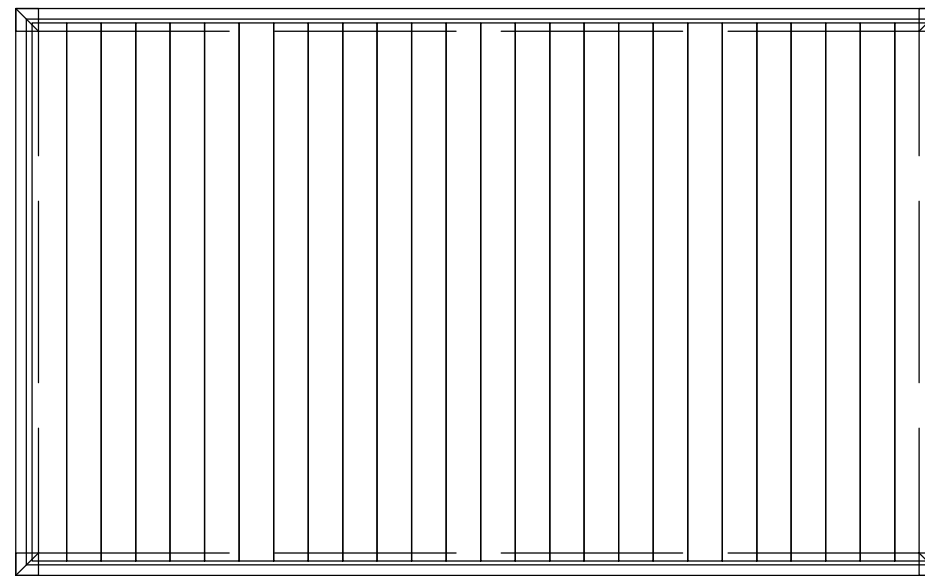
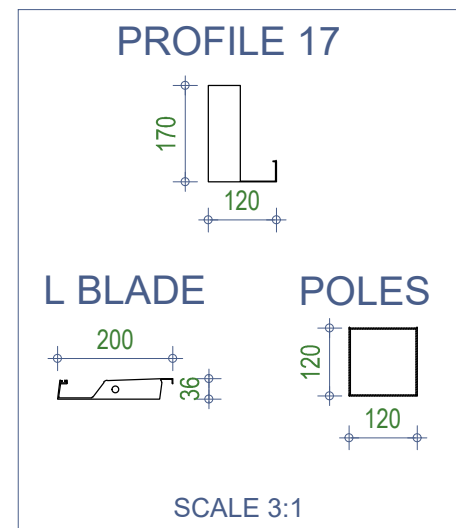
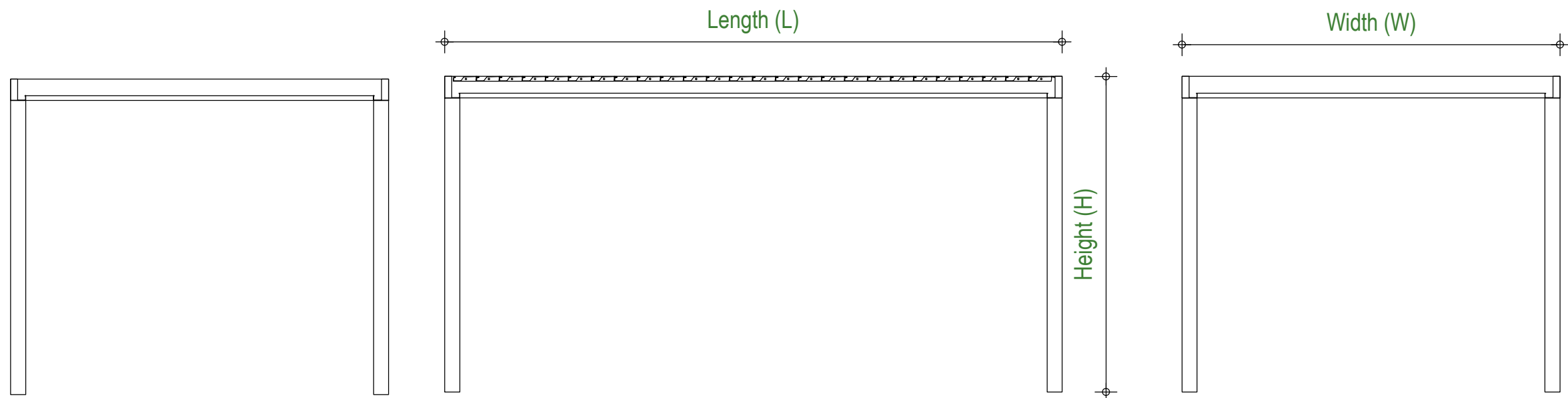


# SL 170/36 - A4



More light, more life. Soltec d.o.o., Obrtna ulica 9, SI8257 Dobova		Format <b>A3</b>	General tolerances ISO 2768-m EN 1090-2	Scale: 1:40 Material: Surface:	Mass: _____ Qua.: PCS Pos.: NUM
F / / / E / / / D / / / C / / / B / / / A / / / N	/ /	Made by Model Drawing Approved	Date 30/04/2020 11/05/2020	Name U. Trčko N.Kristanic	<b>SL 170/36 - A4</b>
Revision Date Name		Project:	Page: 1/1		