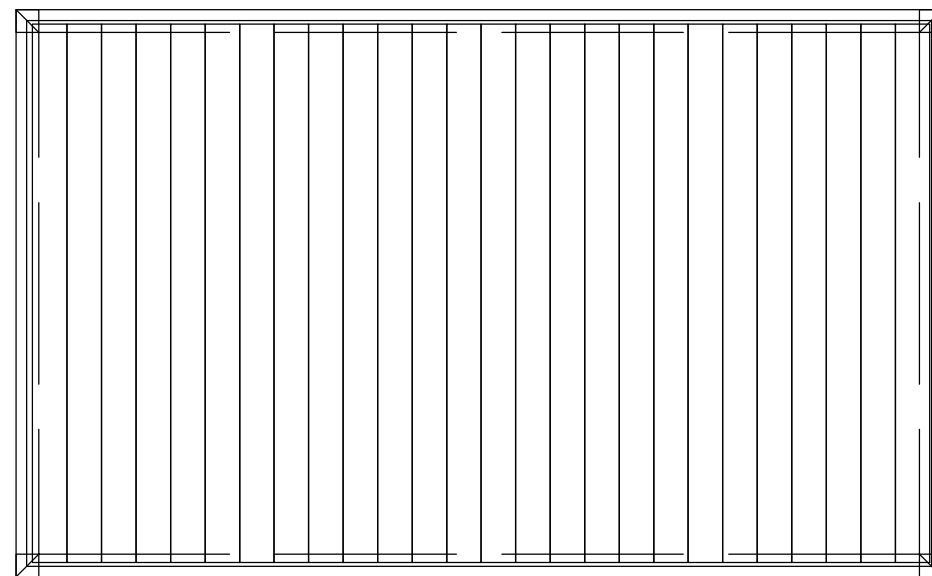
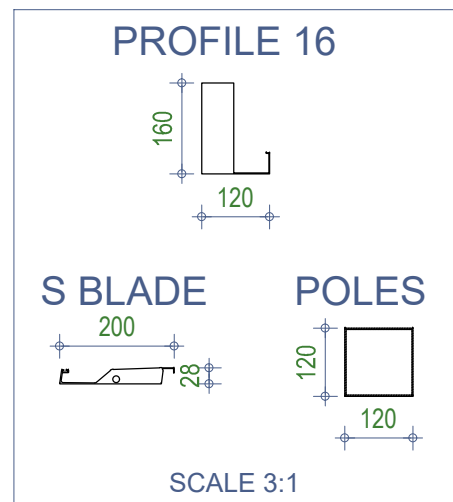
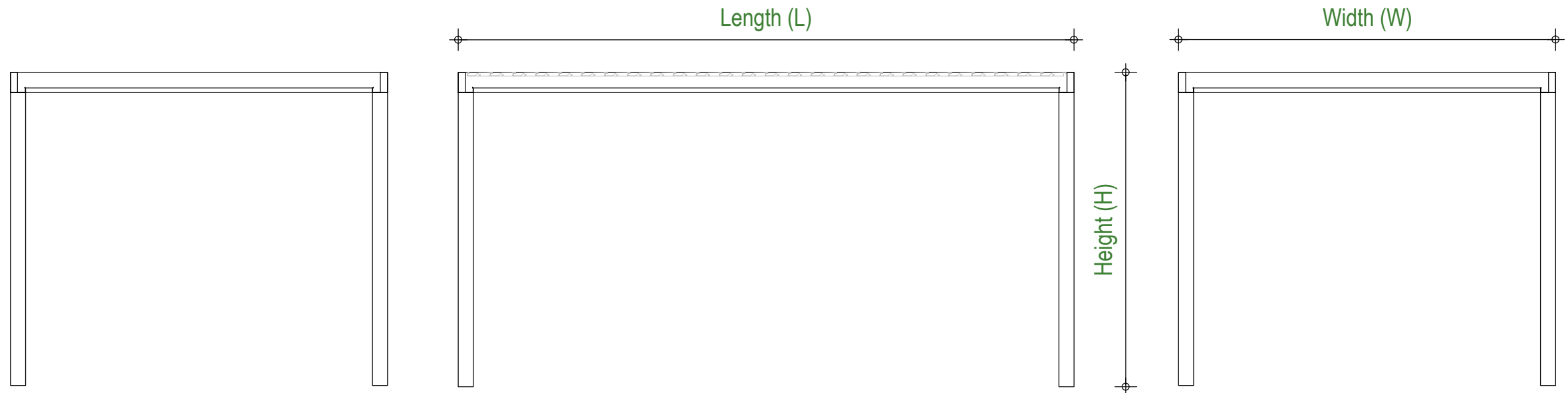


SL 160/28 - A4



| | | | | | |
|--|--------------------------|---|---|--------------------------------------|---|
| More light, more life. Soltec d.o.o., Obrtna ulica 9, SI8257 Dobova | | Format A3 | General tolerances ISO 2768-m EN 1090-2 | Scale: 1:40 Material: Surface: | Mass: _____ Qua.: PCS Pos.: NUM |
| F / / / E / / / D / / / C / / / B / / / A / / / N | Revision Date Name | Made by Model Drawing Approved | Date 30/04/2020 11/05/2020 | Name U. Trčko N.Kristanic | Title: SL 160/28 - A4 Project: |
| | | | | Page: 1/1 | |