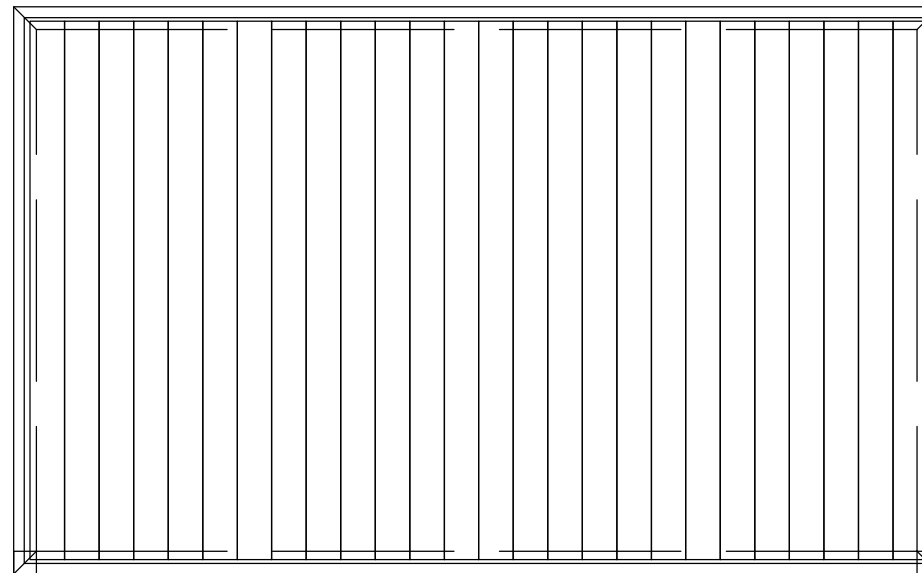
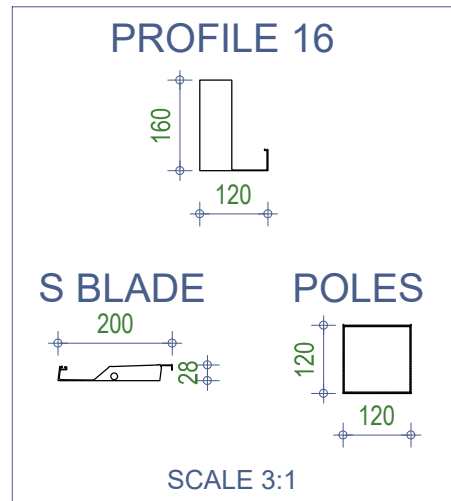
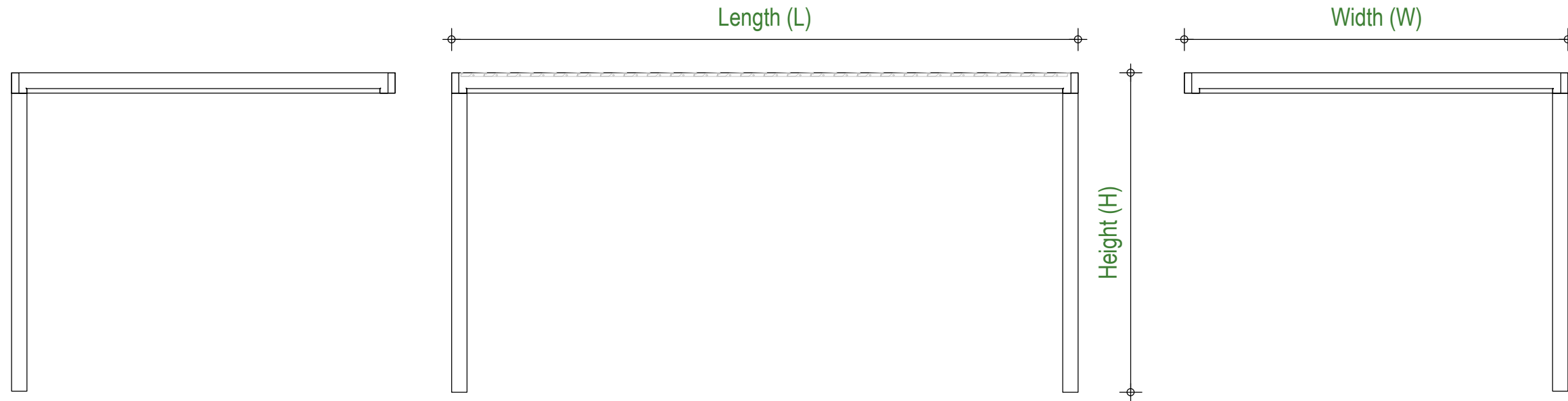


SL 160/28 - A2



More light, more life. Soltec d.o.o., Obrtna ulica 9, SI8257 Dobova		Format A3	General tolerances ISO 2768-m EN 1090-2	Scale: 1:40 Material: Surface:	Mass: _____ Qua.: PCS Pos.: NUM
F / / / E / / / D / / / C / / / B / / / A / / / N Revision Date Name	Made by / / / Model / / / Drawing 30/04/2020 U. Trčko Approved 11/05/2020 N.Kristanic	Title: <h2>SL 160/28 - A2</h2>		Project:	Page: 1 / 1